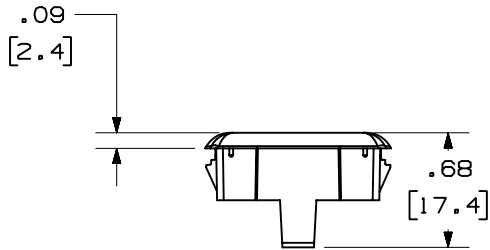
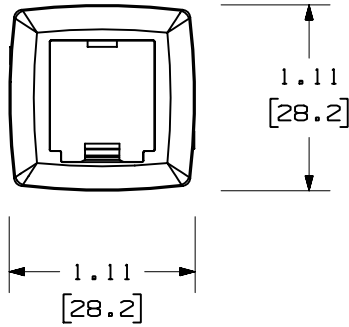


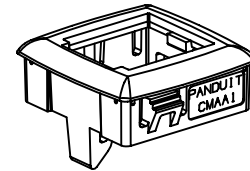
THIS COPY IS PROVIDED ON A RESTRICTED BASIS AND IS NOT TO BE USED IN ANY WAY DETRIMENTAL TO THE INTERESTS OF PANDUIT CORP.



PANDUIT P/N	WEIGHT
CMAA1**-X	.04 LB/10 PCS (21.0 g/10 PCS)

NOTES:

- SEE CURRENT CATALOG FOR ADDITIONAL PART NUMBER SUFFIXES TO INDICATE COLOR AND OR PACKAGE QUANTITY.
- SEE CATALOG FOR COMPLETE LIST OF PARTS APPLICABLE FOR USE WITH THIS PART.
- DIMENSIONS IN PARENTHESES ARE IN METRIC.
- PANEL OPENING REQUIRED IS: 25mm OR 1.00" SQUARE.



CAD FILENAME/LAYERS M01165BC\_DC\_07A.PRT

**PANDUIT** CORP. TINLEY PARK, ILLINOIS

MINI-COM™ 1 POSITION AUSTRALIAN  
FURNITURE ADAPTER  
CUSTOMER DRAWING (CMAA1\*\*-X)

UNLESS OTHERWISE SPECIFIED,  
DIMENSIONAL TOLERANCES ARE:  
(.X) ± (.XXX) ± .010 (.3)  
(.XX) ± .03 (.8) ANGLES ±

UNLESS OTHERWISE SPECIFIED,  
ALL DIMENSIONS ARE GIVEN  
IN INCHES, THIRD ANGLE PROJECTION.

I	8-27-01	JsP		B. CHANGED FIT DIMENSIONS. A. CHANGED SNAP PROFILE.	01165-04					DRAWN BY JsP	MAT'L:  ABS	SCALE NONE	
R	5-10-01	JsP	PBD	RELEASED TO PRODUCTION.	01165-04	PBD				DATE 5-10-01		DRAWING NO. 01165-04	DWG A
REV	DATE	BY	CHK	DESCRIPTION	ECN	CHK	CUST	SUP		CHECKED BY PBD		01165-04	A SIZE